

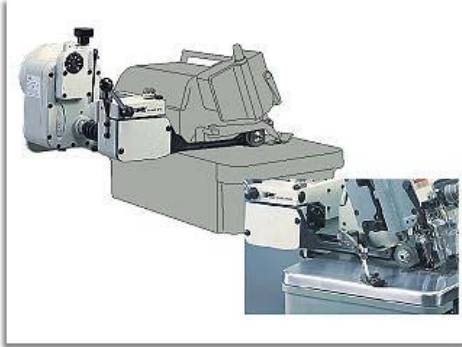
 **PULLER ATTACHMENT**

PG 包縫車用・小輪 (薄物用)

FOR OVERLOCK WITH SMALL ROLLER (FOR THIN MATERIAL)

小輪輪徑28mm，適用於薄物布料

Daiiameter 28mm Roller. For Thin Material



PR 包縫車用・皮帶後送 (薄物用)

FOR OVERLOCK WITH REAR DRIVE BELT (FOR THIN MATERIAL)

齒形皮帶後送，適用於薄物布料

Feeding By Timing Belt. For Thin Material

