

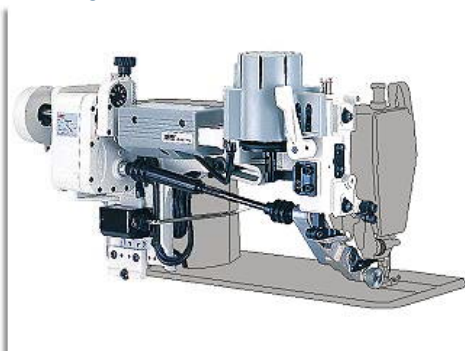
PULLER ATTACHMENT

PS 小輪、單針、雙針車用 (標準型)

FOR SINGLE OR TWIN NEEDLE (REGULAR) SMALL ROLLER

輪徑25mm，輪子與車針距離僅28~30mm，適用於薄布料短距離車縫

Diameter 25mm Roller. 28~30mm Between Needle and Roller. For Short Thin Material, Curve and Short Sewing.



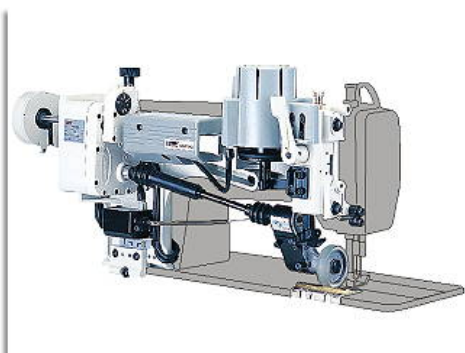
- 拖輪不用時可以提升
- Disengage roller if not needed

PL 單針、雙針車用 (標準型)

FOR SINGLE OR TWIN NEEDLE (REGULAR)

輪徑55mm，輪子與車針距離僅50mm以上，適用於一般厚、薄布料

Diameter 55mm Roller. More than 50mm Between Needle and Roller. For General Material



- 寬廣的操作空間
- With Large Space for Operation



PL-S1 飾縫車用

FOR FLAT BED COVERSTITCH

專用基座，輪徑55mm，輪子與車針距離

65mm以上，適用於一般厚、薄布料

Special Bracket. Diameter 55mm Roller. More than 65mm Between Needle and Roller. For General Material.

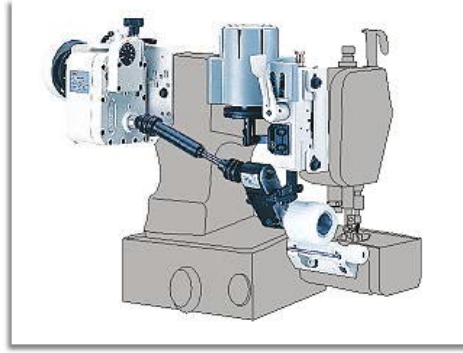
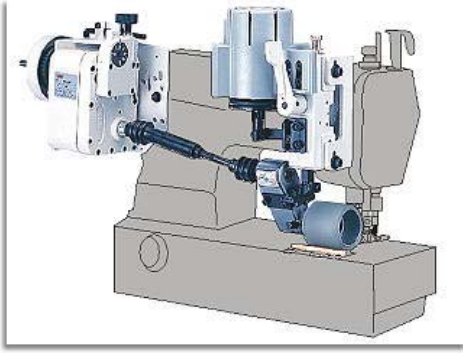
PL-S2 筒型飾縫車用

FOR CYLINDER BED COVERSTITCH

專用基座，附下輪，輪徑55mm，輪子與車

針距離65mm以上，適用於一般厚、薄布料

Special Bracket. Lower Roller and Diameter 55mm roller. More than 65mm Between Needle and Roller. For General Material.



--

特殊機型・訂貨生產 範例

Special Order Only Example

