

PACING® PULLER ATTACHMENT

PT 單針、雙針車用·上下輪驅動 (標準型)

FOR SINGLE OR TWIN NEEDLE WITH UPPER AND LOWER ROLLER (REGULAR)

PT-H 單針、雙針車用·上下輪驅動 (厚物型) (變速機 P-1)

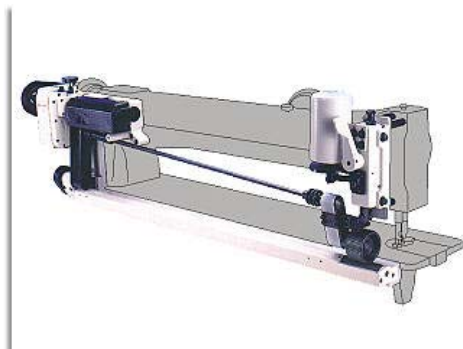
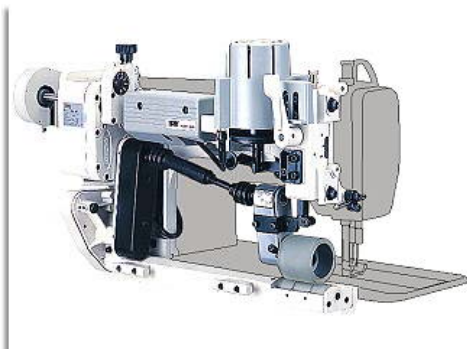
FOR SINGLE OR TWIN NEEDLE WITH UPPER AND LOWER ROLLER (HEAVY DUTY) (Transmission P-1)

上下輪驅動拉力特強，輪徑55mm，輪子與車針距離130mm以上，適用於薄物到極厚物，長距離車縫

Powerful Upper and Lower Roller, Diameter 55mm Roller. More than 130mm Between Needle and Roller. For General Material.

PT-L 長臂型·接受訂貨生產

FOR LONG ARM, AVAILABLE FOR CUSTOM-MADE



PF 腕型車用 (標準型)

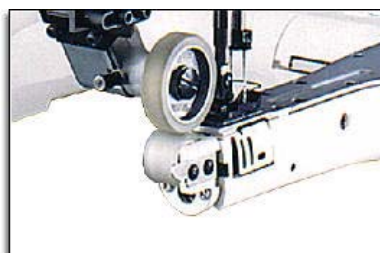
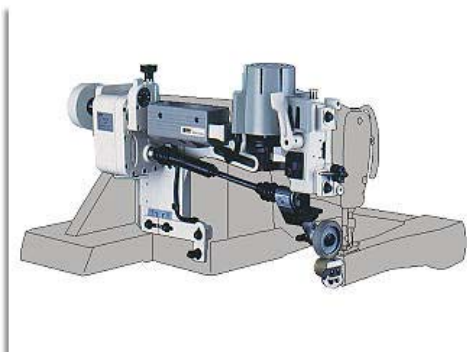
FOR FEED-OFF-ARM (REGULAR)

PF-H 腕型車用 (厚物型) (變速機 P-1)

FOR FEED-OFF-ARM (HEAVY DUTY) (Transmission P-1)

輪徑55mm，輪子與車針距離60mm以上，為一般布料用

Diameter 55mm roller. More than 60mm Between Needle and Roller. For General Material



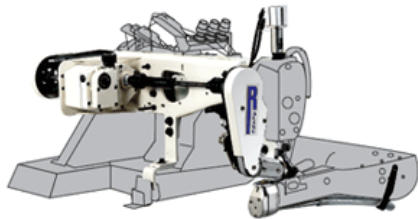
- 附下輪
- With lower roller

PF-HB/ECV/AF

厚物・極厚物用皮帶式拖輪
BELT PULLER FOR HEAVY TO EXTREMELY HEAVY DUTY MATERIAL.

PF-RB/ECV/AF

一般布料用皮帶式拖輪
BELT PULLER FOR REGULAR FABRIC.



AF 氣壓式壓腳裝置（一般腕型車用）

Pneumatic pressure foot
(for Feed-Off-the-Arm)

