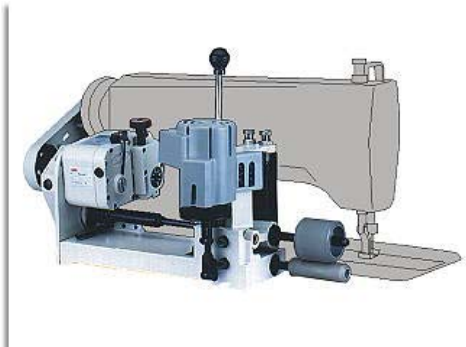




PULLER ATTACHMENT

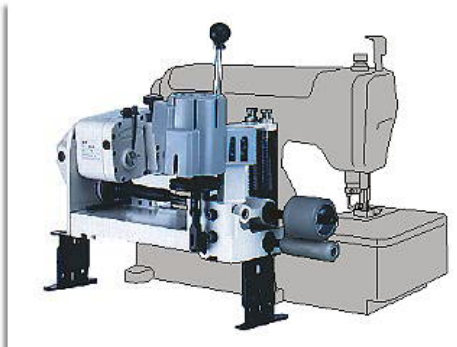
PY 單針、雙針車用·上下輪驅動

FOR SINGLE OR TWIN NEEDLE WITH UPPER AND LOWER ROLLER (HEAVY DUTY)
固定於車板，上下輪驅動拉力特強，輪徑55mm，輪子與車針距離130mm以上，適用於薄物到極厚物，長距離車縫
Fix on Table. Powerful Upper and Lower Roller, Diameter 55mm Roller. More than 130mm Between Needle and Roller. For General Material



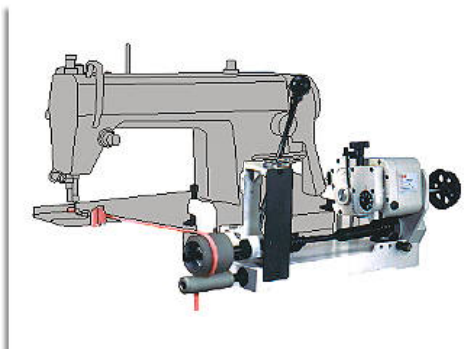
PY-C 飾縫車用·上下輪驅動

FOR COVERSTITCH
固定於車板，上下輪驅動拉力特強，輪徑55mm，輪子與車針距離130mm以上，適用於薄物到極厚物，長距離車縫
Fix on Table. Powerful Upper and Lower Roller, Diameter 55mm Roller. More than 130mm Between Needle and Roller. For General Material



PY-SP 前拉式(義大利麵專用)

FRONT PULLER (FOR SPAGHETTI SEWING)

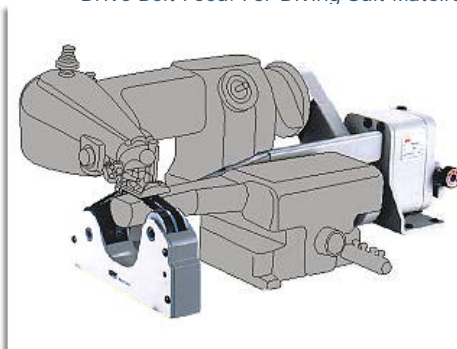


PW 手臂可動型盲縫車用(適用於潛水衣布料)

FOR BLINDSTITCH MACHINE WITH MOVEABLE ARM (SUITABLE FOR DIVING-SUIT MATERIAL)

皮帶式下送料，適用於潛水衣布料

Drive Belt Feed. For Diving Suit Material



PW-L 手臂可動長臂型盲縫車用(適用於潛水衣布料)

FOR LONG ARM BLINDSTITCH MACHINE WITH MOVEABLE ARM (SUITABLE FOR DIVING-SUIT MATERIAL)

